

Single seat valves KI-DS

Compact and universal Single seat valves in modular design

The new compact valve series KI-DS stands out particularly due to their compact design. According to your specific application, you can choose the specific actuator from a modular system of four depending on what capacity is required. Retrofitting to an actuator with a higher capacity is possible without adaptation.

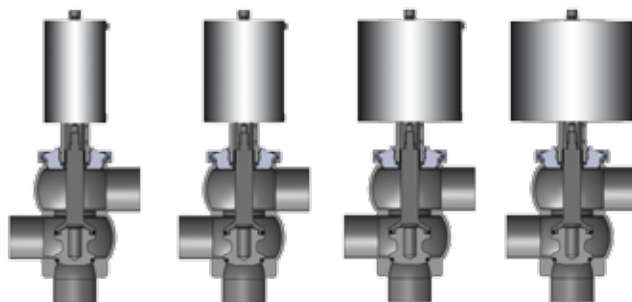
The actuators can be changed over either to air to open/spring to close or to spring to open/air to close, simply by turning them upside down. All actuators have the same overall height which allows a trouble-free connection and optimizes considerably the joint connection.

Of course, this compact series meets KIESELMANN's high hygienic standards.

The valves are available as inclined seat, angle, T-, cross, loop, change-over and tank outlet valves as well as flow control valve.

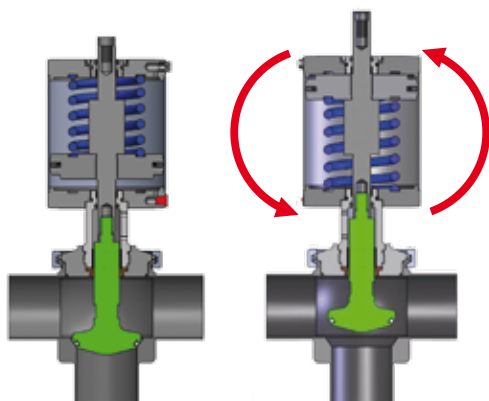


- ▶ Dead space-free housing in hygienic design
- ▶ 4 actuation sizes for the most different applications
- ▶ Maintenance-free universal actuators with 5 years warranty
- ▶ Modular principle



Four sizes of actuators for different applications (Operating pressure)

Universal actuator with changeable function



Air to open -
Spring to close

Spring to open -
Air to close

TECHNICAL DATA	
Installation sizes:	DN 25–100, 1"–4"
Materials	
Product wetted:	1.4404 / AISI 316L
not product wetted:	1.4301 / AISI 304 1.4307 / AISI 304L
Seal materials:	EPDM (SIP 140 °C, 30 min) FDA compliant HNBR (SIP 130 °C, 30 min) FDA compliant
Surfaces product wetted:	Ra ≤ 0.8 µm e-polished
Operating pressure	Depending on nominal width and size of the actuator (on request)
Control air:	
DN 25–65	min. 5.5 bar
DN 80–100	min. 6.0 bar

