

Single Seat Control Valve

Control Valve

Exact process control

The multi-purpose applicable single-seat control valves made by KIESELMANN are available both in linear and equal-percentage version. The fittings are based upon the hygienic and proven concept of the KIESELMANN KI-DS valves and that's why they are suitable for sensitive production fields of the food and beverage industry.

The modular design with the large nominal width range of between DN 25 and DN 125 and the functionally graded flow coefficients offers a maximum degree of flexibility and the right valve for each application.

Of course, all usual connection variants can be adapted. Whether the control characteristic is linear or of equal percentage, whether the seal is soft or metallic, KIESELMANN control valves guarantee a safe and exact process control at any time.

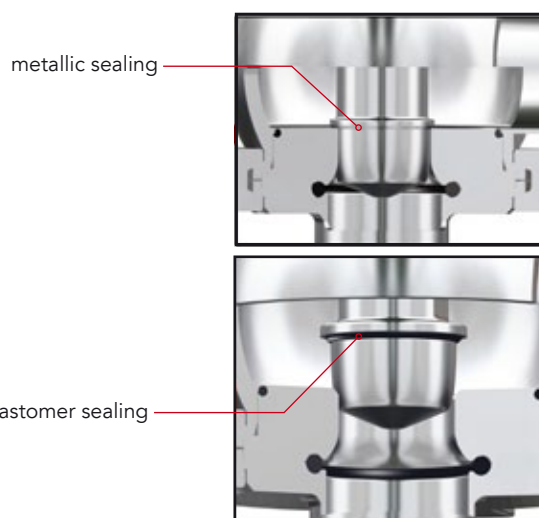
Advantages for your plant

- ▶ Flexible replaceable seat concept thanks to clamp connection
- ▶ Linear or equal-percentage control
- ▶ Easy adaptation

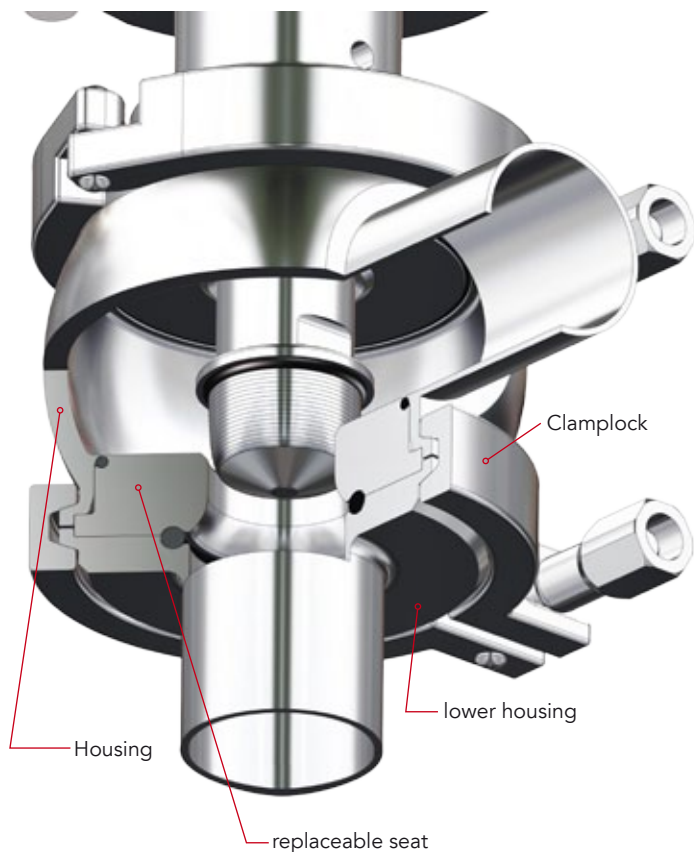


Flexible owing to replaceable seat concept

The essential function feature of this valve series is the hygienically designed replaceable seat concept. It allows in a very simple way the adaptation to changing process conditions, without having to carry out complex modification measures. The plug and seat can be replaced and re-assembled with very little effort. Thus it is possible, for instance, to retrofit the soft or metallic sealing variants without any problems.



Single Seat Control Valve



TECHNICAL DATA

Series:	5506
Installation sizes:	DN 25 – 125
Pressure range:	PN 16
Product temperature:	0 – 100 °C
Characteristic shape:	linear, equal percentage
Position ratio:	50:1
Housing material:	1.4404/AISI 316L (UNS 31603)
Housing connections:	Welding end EN 10357, Series B DIN 11866, Series C Flange connection DIN 11853-2 DIN 11864-2 Clamp-connection DIN 11853-3 DIN 11864-3 (further on request)
Pipe classes:	metric DN, OD
Surfaces:	Product wetted: Ra ≤ 0.8 µm External surface: electro-polished
Shape of plug:	Parabolic plug
Plug material:	1.4404, 1.4462, 1.4542
Seat material:	1.4404, 1.4462, 1.4542
Seat sealing:	soft, metallic (not conform with 3A regulations)
Spindle sealing:	EPDM, HNBR, FDA conform
Options:	Lifting piston actuator, diaphragm actuator

K_v-Values and respective nominal widths

K _v	0.4	1.0	1.6	2.5	4	7	10	18	26	40	52	68	85	100	120	160	
C _v	0.5	1.2	1.9	2.9	4.7	8.1	12	21	30	47	60	79	99	120	140	186	
Seat-Ø [mm]	6		12				22		31	46		60		72		95	120
Piston [mm]	20								27								
DN	NPS*	● - Standard programme ○ - upon request															
25	1"	●	●	●	●	●	●	●									
40	1 ½"				●	●	●	●	●								
50	2"						●	●	●	●							
65	2 ½"							●	●	●	●	●					
80	3"								●	●	○	●	●	●			
100	4"									●	○	●	○	●	●		
125	-													●	○	●	

* Special size acc. to DIN 11866. series C

