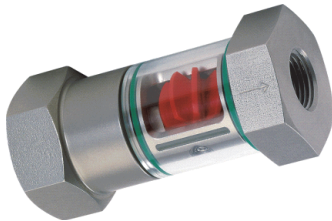


**Product Information**

**WR1-008..040GM / K**

**Flow Indicator  
 WR1-...GM / K**



- Internal wiper provides ability to clean the glass without removing the device.
- Sliding bearing made from PEEK for liquids, or grease-free ball bearing for air and gases
- Rotor visible from 360 °

**Characteristics**

Mechanical flow indicator, for fluid media, with rotor for quantitative flow display. The rotor turns in proportion to the flow. Robust construction in brass or stainless steel.

**Technical data**

<b>Nominal width</b>	DN 8..40	
<b>Process connection</b>	female thread G 1/4..G 1 1/2	
<b>Display range</b>	0.7..700 l/min	for details see table "Ranges"
<b>Q<sub>max.</sub></b>	to 700 l/min	
<b>Pressure resistance</b>	PN 16 bar	
<b>Medium temperature</b>	0..+100 °C	
<b>Ambient temperature</b>	0..+70 °C	
<b>Materials medium-contact</b>	<i>Brass construction:</i> CW614N nickelled, borosilicate glass, NBR  DN 8..25: POM red DN 32..40: Nylon white <i>for fluids:</i> PEEK <i>for gases:</i> Steel 100 CR 6 chrome coated	<i>Stainless steel construction:</i> 1.4305, borosilicate glass, FKM
<b>Medium</b>	water, gases (oils have a tendency to a higher running-up value)	
<b>Weight</b>	see table "Dimensions and weights"	
<b>Installation location</b>	as desired, except for inwards flow from above	

**Ranges**

**Fluids**

G	Start-up quantity for rotor, l/min			Q <sub>max.</sub> recommended	Types
	H <sub>2</sub> O	40 mm <sup>2</sup> /s	41..150 mm <sup>2</sup> /s		
G 1/4	0.7	1.5	2.7	4	WR1-008G.W
G 3/8	0.8		2.8	8	WR1-010G.W
G 1/2	1.4	1.8	3.2	12	WR1-015G.W
G 3/4		2.7	5.9	25	WR1-020G.W
G 1	1.7	3.0	7.0	40	WR1-025G.W
G 1 1/4	8.0	5.9	7.9	80	WR1-032G.W
G 1 1/2		7.3		100	WR1-040G.W

Special ranges are available.

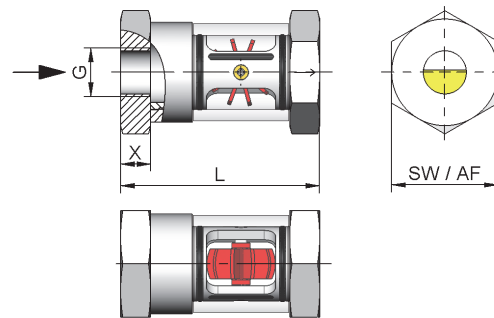
**Air / gases**

G	Running-up amount for rotor l/min 1 bar abs 20 °C	Q <sub>max.</sub> recommended	Types
G 1/4	18	60	WR1-008G.G
G 3/8	20	150	WR1-010G.G
G 1/2	25	250	WR1-015G.G
G 3/4	25	250	WR1-020G.G
G 1	35	350	WR1-025G.G
G 1 1/4	60	600	WR1-032G.G
G 1 1/2	70	700	WR1-040G.G

Special ranges are available.

**Dimensions and weights**

G	Types	L	SW	X	Weight kg
G 1/4	WR1-008G.	71	36	9	0.35
G 3/8	WR1-010G.				
G 1/2	WR1-015G.	86	46	13	0.65
G 3/4	WR1-020G.				
G 1	WR1-025G.	104	65	19	1.60
G 1 1/4	WR1-032G.	120			
G 1 1/2	WR1-040G.	130		20	1.70



**Ordering code**

WR1 -  1.  2.  3.  4. **G**

<b>1. Nominal width</b>	
008	DN 8 - G 1/4
010	DN 10 - G 3/8
015	DN 15 - G 1/2
020	DN 20 - G 3/4
025	DN 25 - G 1
032	DN 32 - G 1 1/4
040	DN 40 - G 1 1/2
<b>2. Process connection</b>	
G	female thread
<b>3. Connection material</b>	
M	brass
K	stainless steel
<b>4. For medium</b>	
W	fluids
G	air and gases

**Options**

- smaller start-up quantities / special diaphragm
- Wiper seal made from EPDM