

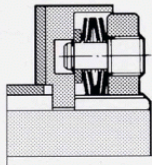
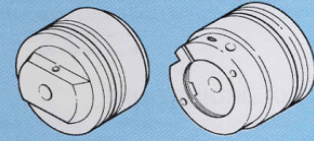
I Limitatori di coppia a frizione

GB Friction torque limiters

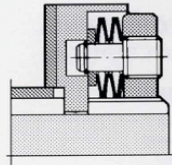
F Limiteurs de couple à friction

D Reibungs-Drehmomentbegrenzer

LS...

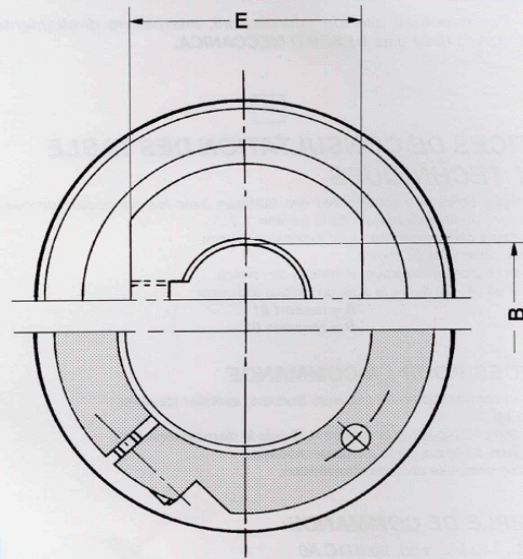
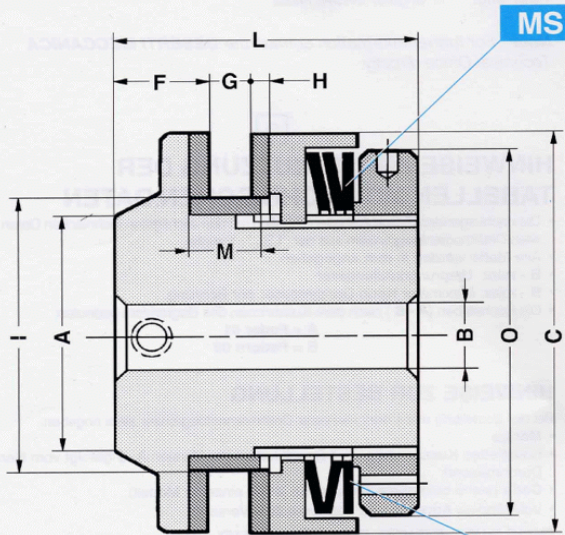


VERSIONE MS
MS VERSION
LS 200 - LS 350



VERSIONE MC
MC VERSION
LS 200 - LS 350

LS...	MC	MS
40	20.011C.A0	20.011S.A0
50	20.011C.B0	20.011S.B0
70	20.011C.C0	20.011S.C0
90	20.011C.D0	20.011S.D0
115	20.011C.E0	20.011S.E0
140	20.011C.F0	20.011S.F0
170	20.011C.G0	20.011S.G0
200	20.011C.H0	20.011S.H0
240	20.011C.I0	20.011S.I0
300	20.011C.L0	20.011S.L0
350	20.011C.M0	20.011S.M0



LS...	Nm		A	B		C	E	F	G max	H	I ^{h8}	L	M	O	Kg
	MC	MS		min	max										
40	2 ÷ 7,5	7,5 ÷ 15	20	5	12	40	22	8,5	4	2,5	24	30	8	35	0,160
50	5 ÷ 15	15 ÷ 30	30	8	20	50	28	11	5	3	38	38	10	46	0,400
70	14 ÷ 50	50 ÷ 100	44	10	25	70	40	18	9	4	45	55	15	63	1,000
90	26 ÷ 100	100 ÷ 200	60	15	35	90	50	19	11	4	60	60	17	82	1,800
115	50 ÷ 200	200 ÷ 400	76	20	45	115	64	21	15	4	72	70	21	105	3,400
140	110 ÷ 400	400 ÷ 800	92	25	55	140	80	24	17	5	85	80	25	129	6,200
170	140 ÷ 700	700 ÷ 1400	106	30	65	170	90	29	20	5	100	95	28	159	10,400
200	240 ÷ 1200	1200 ÷ 2400	120	40	80	202	105	31	24	5	120	105	32	193	14,600
240	400 ÷ 2000	2000 ÷ 4000	155	50	100	242	135	33	25	5	145	120	35	230	26,000
300	650 ÷ 3400	3400 ÷ 6800	185	60	120	300	165	36	30	6	175	130	40	287	43,200
350	1200 ÷ 6000	6000 ÷ 12000	230	55	140	352	220	53	30	6	237	165	40	334	84,000